

Feature -

- excellent IR-cut performance
- close responsively to the human eye spectrum
- light to current, analog output
- wide supply voltage range, 1.8V to 5.5V
- custom made housing available

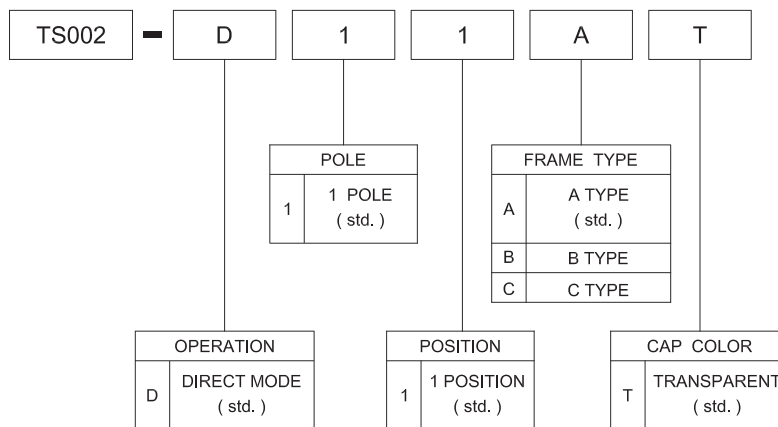
Application -

- indoor lighting
- ambient light monitoring
- CCTV security equipments
- detection of ambient light to control some devices

► SPECIFICATIONS

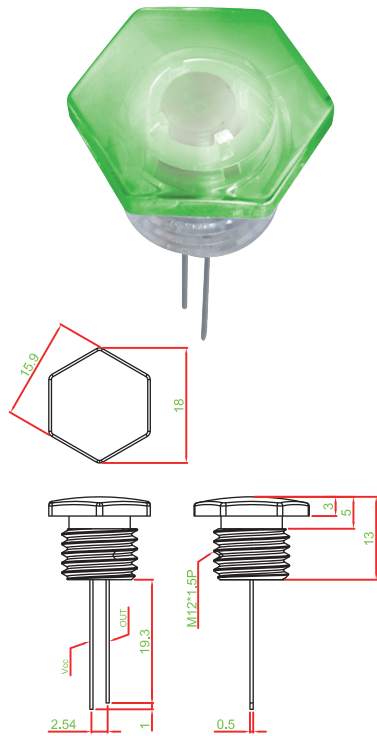
SWITCH SPECIFICATIONS						
POLE - POSITION		SPST				
SUPPLY VOLTAGE		V <sub>cc</sub> : -0.7~6.5V @ Ta=25°C				
DARK CURRENT	SYMBOL	Min.	Typ.	Max.	UNITS	TEST CONDITION
	I <sub>b</sub>	-	0.05	0.1	uA	V <sub>cc</sub> = 3V , Ev = 0Lux
LIGHT CURRENT	I <sub>PH1</sub>	1	3	-	uA	V <sub>cc</sub> = 3V , Ev = 10Lux
	I <sub>PH2</sub>	10	30	-	uA	V <sub>cc</sub> = 3V , Ev = 100Lux
	I <sub>PH3</sub>	100	300	-	uA	V <sub>cc</sub> = 3V , Ev = 1000Lux
	I <sub>PH4</sub>	100	300	-	uA	V <sub>cc</sub> = 3V , Ev = 1000Lux
SENSITIVITY WAVELENGTH RANGE		λ : 390~700 nm				
ANGLE OF HALF SENSITIVITY		2θ <sub>1/2</sub> : 143 Deg.				
OPERATING TEMPERATURE RANGE		-40°C ~ 85°C				
STORAGE TEMPERATURE RANGE		-40°C ~ 100°C				
SOLDERING TEMPERATURE RANGE		260°C				

► HOW TO ORDER

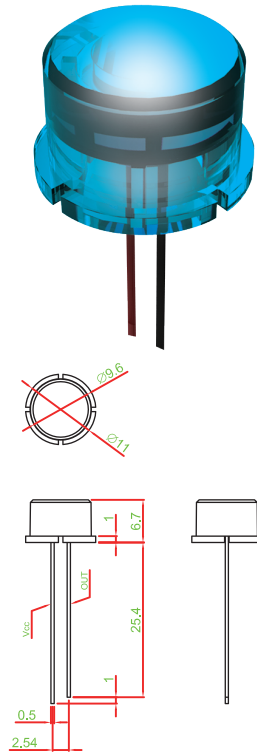


**▶ DIMENSION & FRAME TYPE**

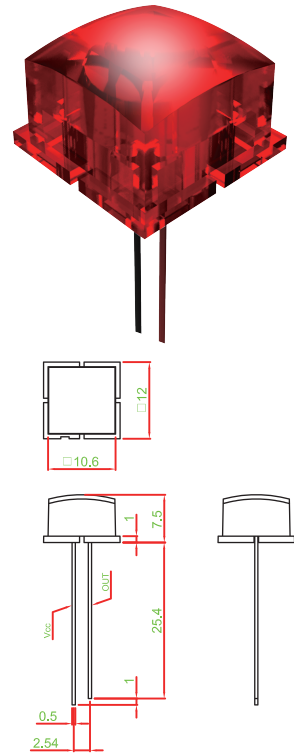
TS002-D11AT



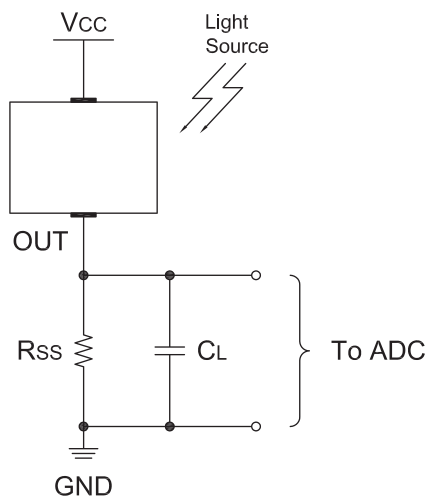
TS002-D11BT



TS002-D11CT



**▶ CIRCUIT**



**▶ BASIC KNOWLEDGE**

Condition	LUX(Illumination)
Under Bright Sun	Tens of Thousands LUX
Cloudy	About 1500 LUX
Store	About 800 LUX
Living Room	About 200~300 LUX
2M From 40W fluorescent lamps	About 120 LUX
2M From 17W Power Saving Bulb	About 60 LUX
2M From 40W Light Bulb	About 40 LUX
2M From 5W Light Bulb	About 5~10 LUX